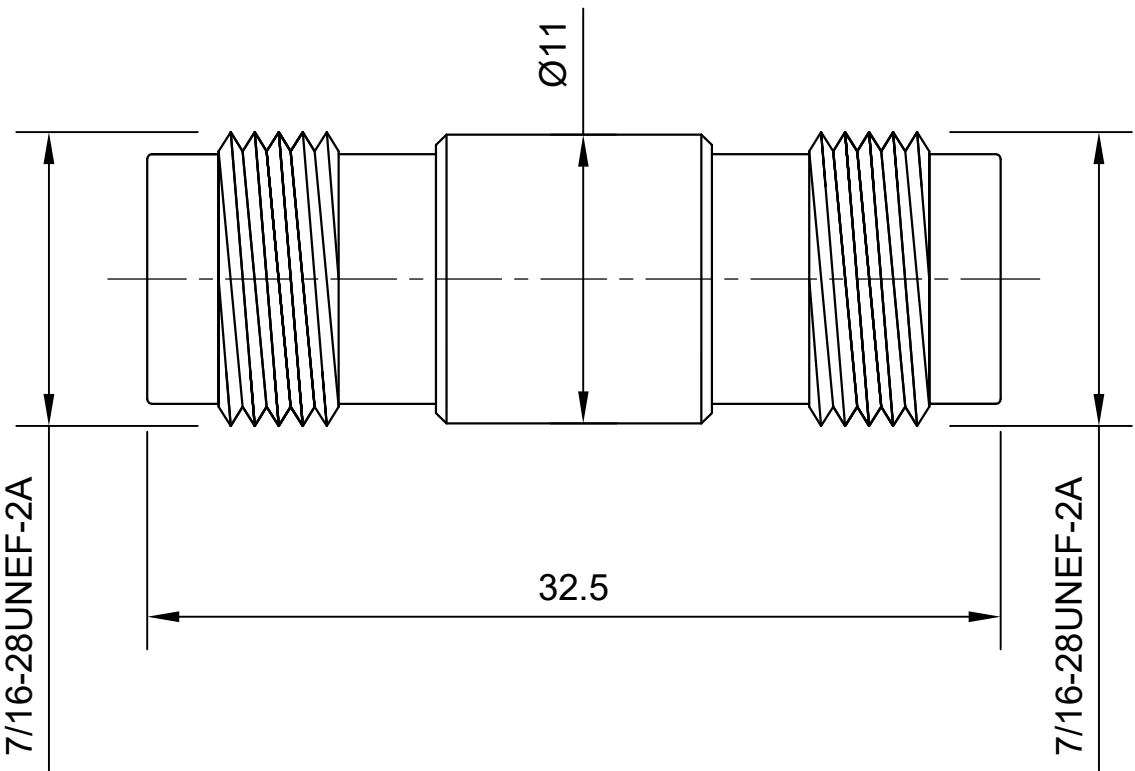


RevNo	Revision note	Date	Signature	Checked



**TECHNICAL DATA**

Type	Adapter
Orientation	Straight
Impedance (Ohms)	50
Adapter Side 1	TNC
Side 1 Gender	Jack
Adapter Side 2	TNC
Side 2 Gender	Jack
Body Finish	Nickel
Body Material	Brass
Contact Finish	Gold
Contact Material	Phosphor Bronze
Insulator Material	Delrin
Max. Frequency (GHz)	11
Mounting Feature	--
Min. Temp. (Celsius)	-40
Max. Temp. (Celsius)	85
Weight (Grams)	11.8

	SHEET	1 of 1	SCALE	NTS
	<b>RF ADAPTER</b>			
DRAWN	VINAY	27.10.2018	TNC Female to TNC Female	
CHECK				STRAIGHT TYPE
APPR.	VINAY	27.10.2018	DWG NO	
ISSUED				VSW-AD-843221-S
REV	R0			

FILE PATH: D:\VINSUR\DRAWINGS -- VINSUR\ADAPTERS\TNC - TNC

FILE NAME: ADAPTER - TNC Female to TNC Female - VSW-AD-843221-S.dwg

SIZE